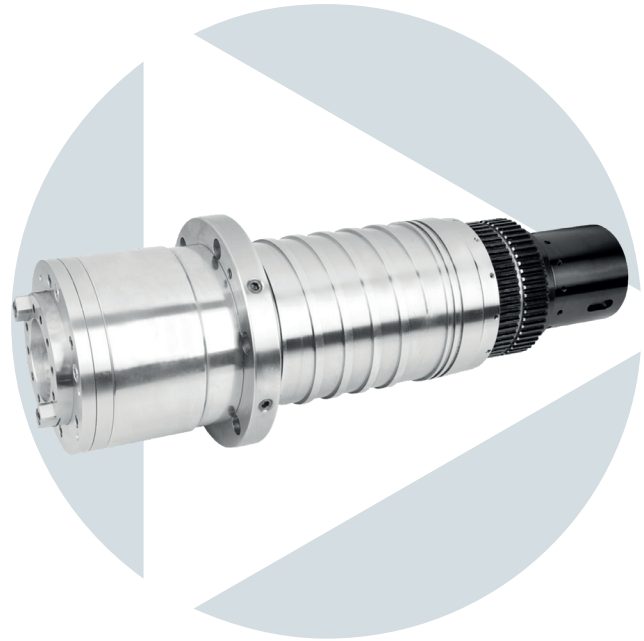


HPC-190-6000B-BT

HIGH PERFORMANCE CUTTING SPINDLES

Mechanically driven high performance spindles can be applied for any kind of milling operation. On top of this, our HP cutting spindles handle drilling and tapping processes with equal success. Its rigid and highly precise design makes it an ideal allrounder, easy to integrate in any new or given machine configuration.

SUITABLE TOOL HOLDER	BT50
MAXIMUM SPEED (RPM)	6000
CLAMPING FORCE(N)	16000-20000
FORM OF LUBRICATION	Grease
COOLING FORM	Oil Cooling
DYNAMIC BALANCE GRADE	G1
PULLEY SPECIFICATIONS	8YU-72T
THE WEIGHT (KG)	98.7



DIMENSION(MM)

L1	641
L2	253
L3	230.5
L4	100
ØD	190
I	8-M12 (PCDØ220)

