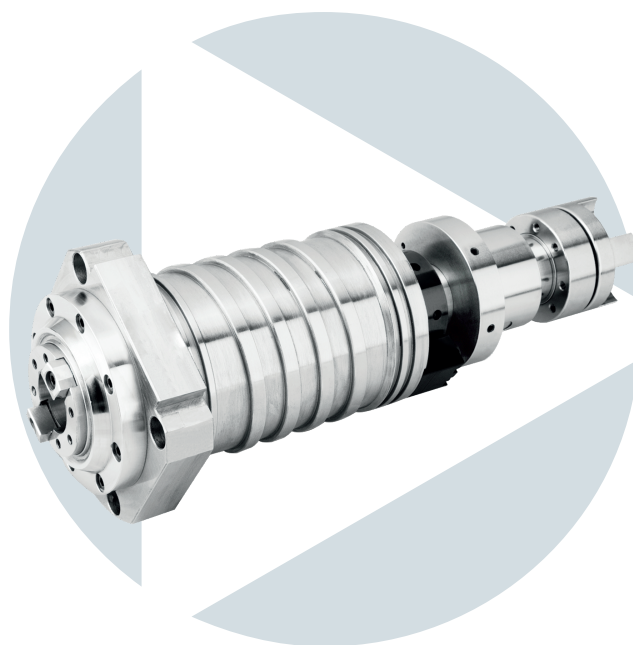


HPC-100-24000-BT

HIGH PERFORMANCE CUTTING SPINDLES

Mechanically driven high performance spindles can be applied for any kind of milling operation. On top of this, our HP cutting spindles handle drilling and tapping processes with equal success. Its rigid and highly precise design makes it an ideal allrounder, easy to integrate in any new or given machine configuration.

SUITABLE TOOL HOLDER	BT30
MAXIMUM SPEED (RPM)	20000/24000
CLAMPING FORCE(N)	2500-3000
FORM OF LUBRICATION	Grease
COOLING FORM	Oil Cooling
DYNAMIC BALANCE GRADE	G1
THE WEIGHT (KG)	14.5



DIMENSION(MM)

L1	390
L2	340
L3	130
L4	195.5
L5	90
A	4-M8 (PCDØ120)
B	Ø100
C	Ø85
D	Ø22/Ø24/Ø28
E	Ø65

