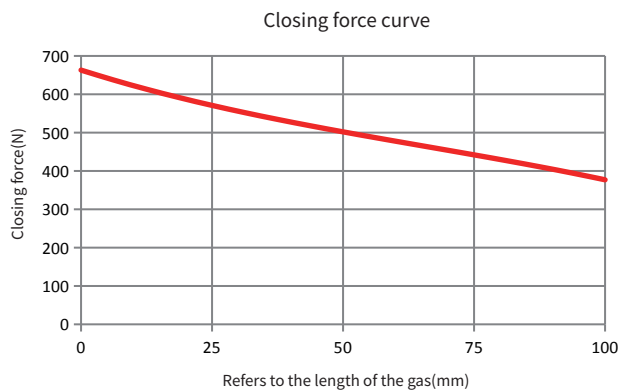


THE GRAPH

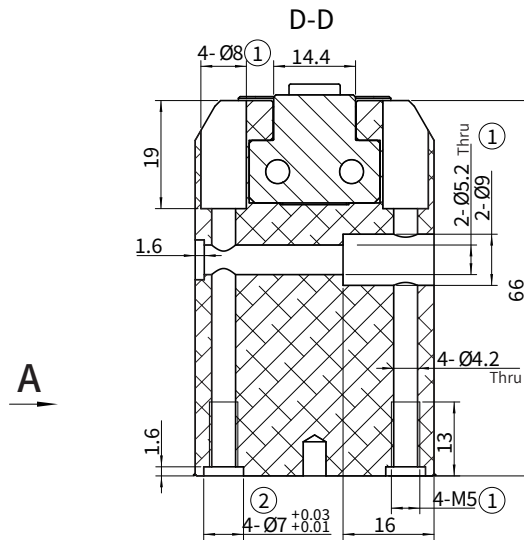
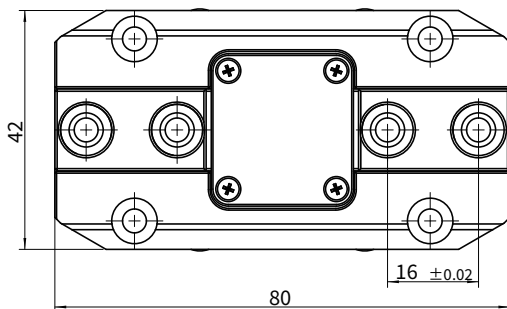
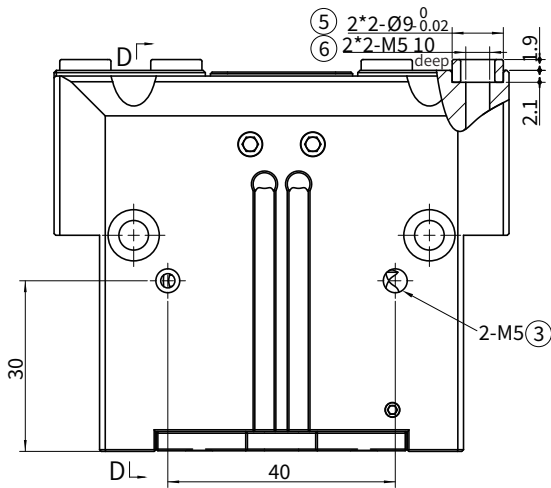
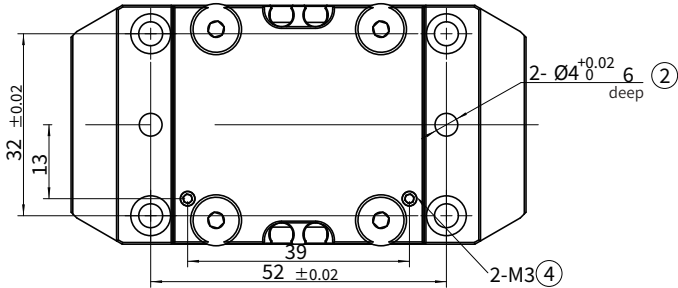


MAIN TECHNICAL PARAMETER

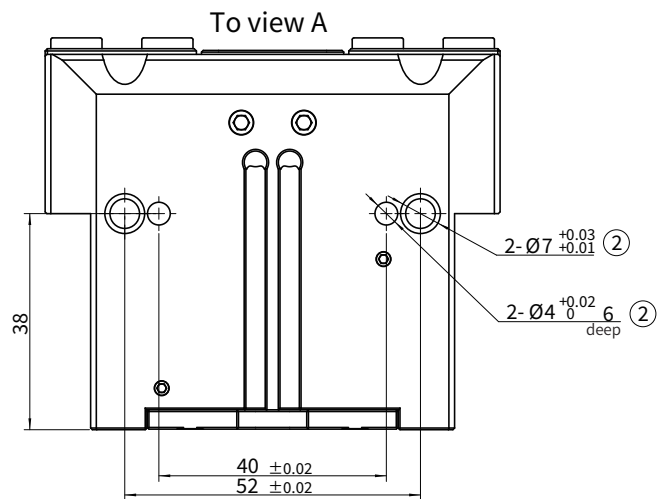
Product model	PGS-80-8H
Repeated positioning accuracy (mm)	0.01
Closing force (N)	≥570
Rated working air pressure (Mpa)	0.6
Single finger stroke (mm)	8
Working air pressure range (MPa)	0.3~0.8
Recommended clamping workpiece weight (Kg)	2

PGS-80-8H

SIZE CHART



A →



① Gas fingering mounting hole

③ Side air vent

⑤ Soft claw mounting positioning sleeve

② Gas fingering mounting positioning hole

④ Bottom air vent

⑥ Soft claw mounting hole