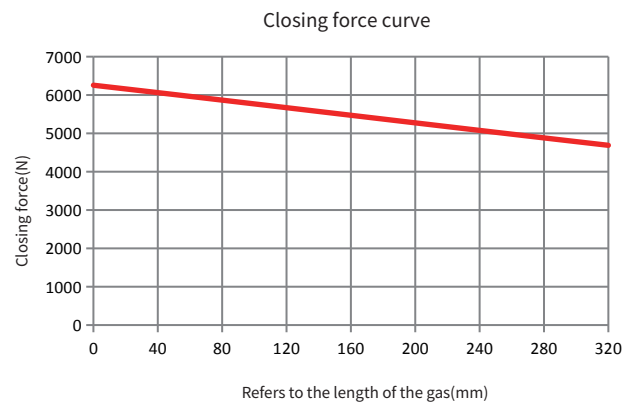
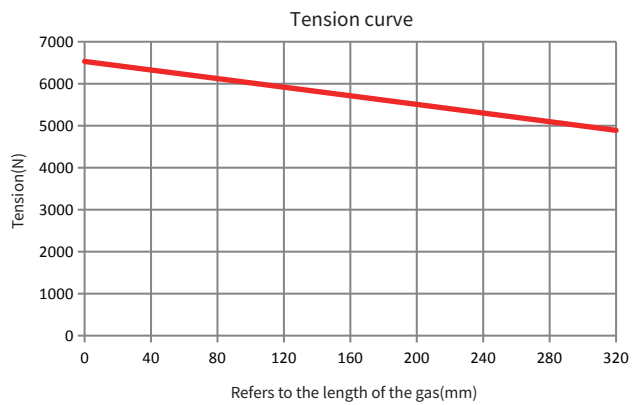


### THE GRAPH

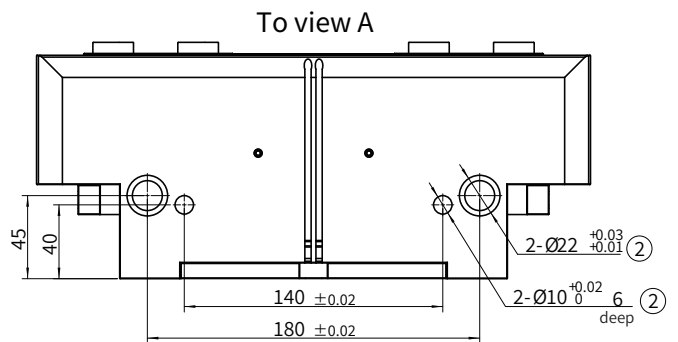
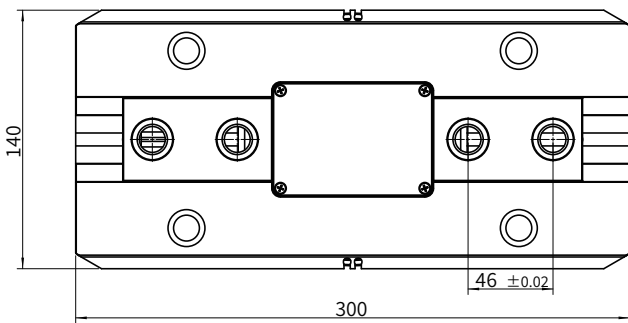
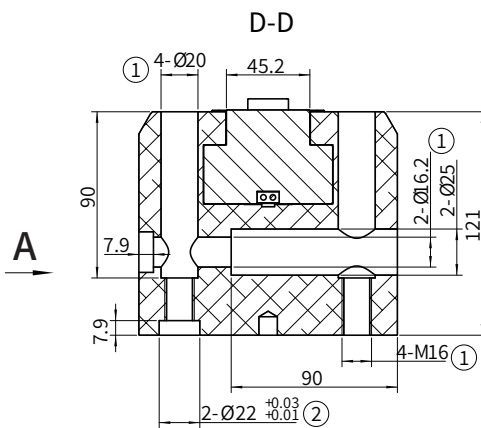
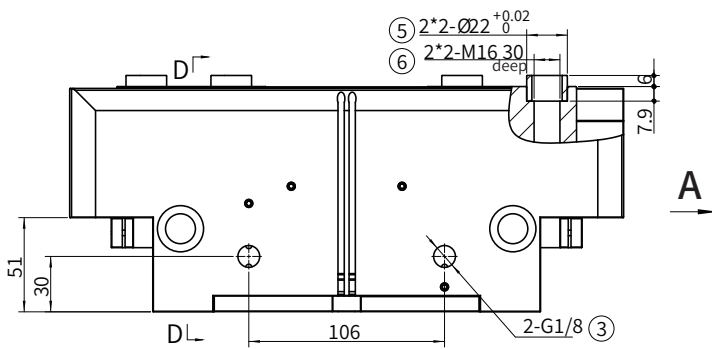
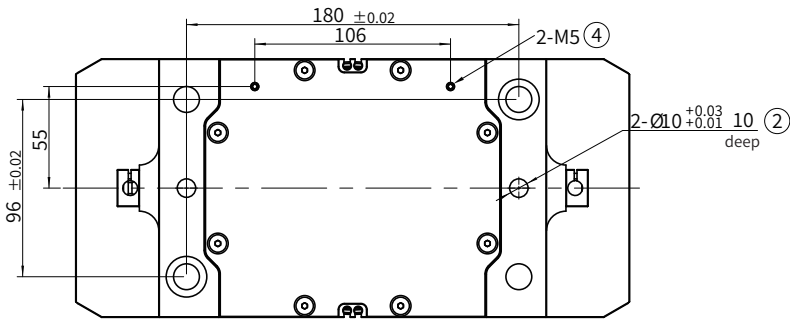


### MAIN TECHNICAL PARAMETER

Product model	PGS-300-35
Repeated positioning accuracy (mm)	0.05
Closing force/ Tension force (N)	≥6000/6200
Rated working air pressure (Mpa)	0.6
Single finger stroke (mm)	35
Working air pressure range (MPa)	0.3~0.8
Recommended clamping workpiece weight (Kg)	30

# PGS-300-35

# SIZE CHART



① Gas fingering mounting hole

③ Side air vent

⑤ Soft claw mounting positioning sleeve

② Gas fingering mounting positioning hole

④ Bottom air vent

⑥ Soft claw mounting hole