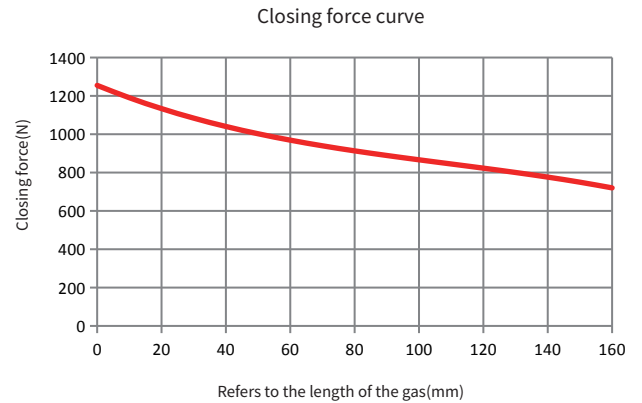
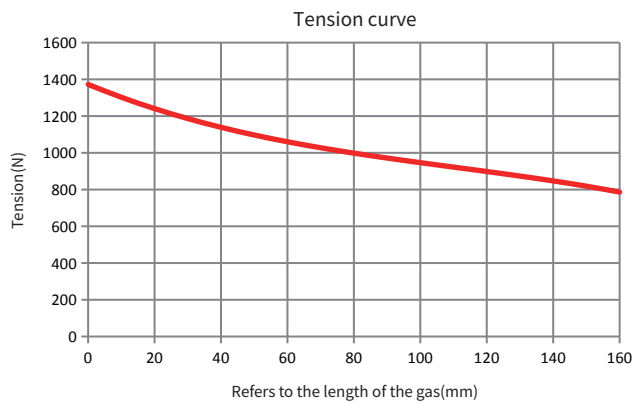


### THE GRAPH

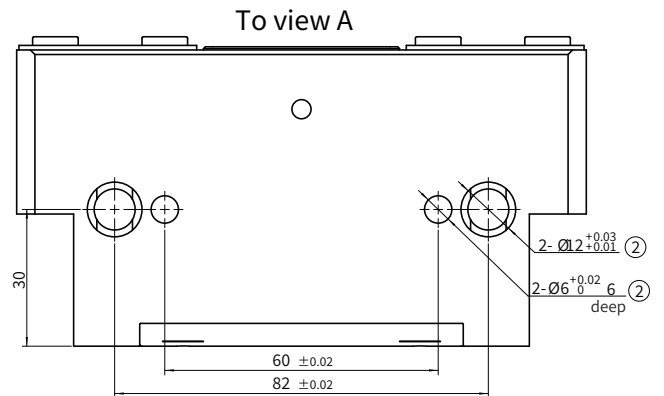
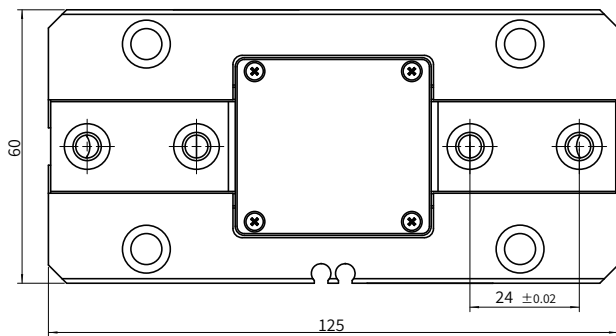
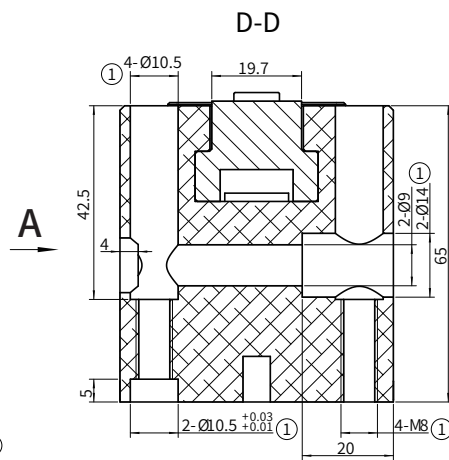
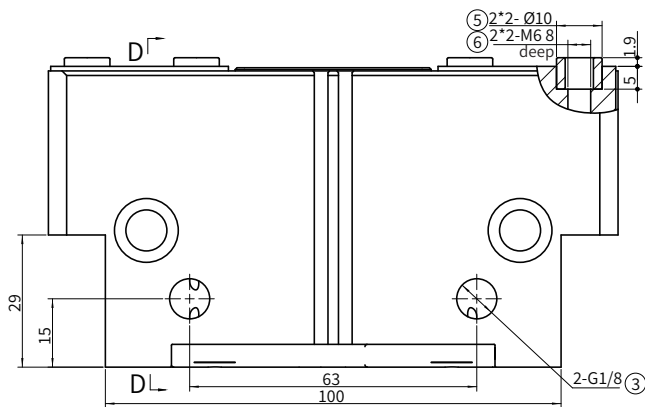
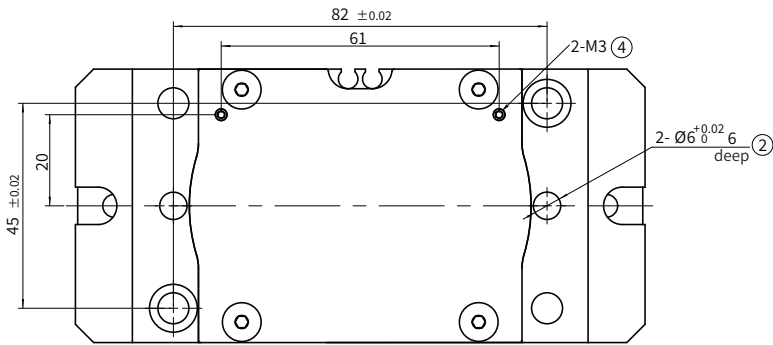


### MAIN TECHNICAL PARAMETER

Product model	PGS-125-13
Repeated positioning accuracy (mm)	0.01
Closing force/ Tension force (N)	≥1050/1150
Rated working air pressure (Mpa)	0.6
Single finger stroke (mm)	13
Working air pressure range (MPa)	0.3~0.8
Recommended clamping workpiece weight (Kg)	5.2

# PGS-125-13

# SIZE CHART



① Gas fingering mounting hole

③ Side air vent

⑤ Soft claw mounting positioning sleeve

② Gas fingering mounting positioning hole

④ Bottom air vent

⑥ Soft claw mounting hole