

HSKE-ER CHUCK

TECHNICAL PARAMETERS

Dynamic balancing grade: ≤G1.

High precision: Shank run-out accuracy: ≤2µm. Combined run-out accuracy: ≤5µm.

High axial and radial repeatability positioning precision.

Repeatability positioning precision is ≤2µm.

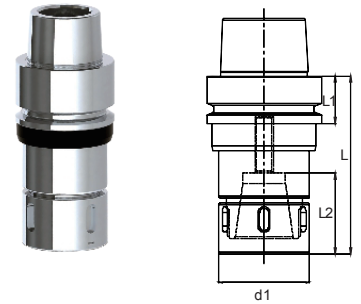
Featuring high dynamic and static rigidity and stability, and high axial and radial accuracy, it ensures the accuracy of a product machined at high speed.

HSK shank is designed with a structure of hollow short taper shank. Compared with BT shank, HSK shank has a short length and light weight. With the power to change the cutter more quickly, it is especially suitable for high-speed machining.

The taper angle of SK chuck for HSKE shank is 4°.

Advantages of HSKE shank with SK chuck: High precision, long service life, 1.5times greater than the torque value of any other type of chuck, clamping range of Ø1.0-25.0mm, H7-precision cutter. It is widely used for milling, drilling, engraving and other machining areas.

Perfect internal cooling function can be realized with the assistance of air duct part.



APPLICATION TYPE



Drilling



Reaming



Tapping



Milling and cutting

Shank type	Order type	Dimensions				Chuck	Screw cap	Applicable speed	Grade A/ordinary grade, Grade AA/precision grade		Grade P/ultra precision grade, Grade PP/instrument grade	
		L	L1	D1	Depth of tool clamping (L2)				Range of cutter diameter	Requirements for precision of cutter shank diameter	Range of cutter diameter	Requirement for precision of cutter diameter
HSKE25	DHSKE25- DSK10- 050	50	10	34	30- 40	SK10	DSK10B	80000RPM	2.0- 10.0	h7	1.0- 10.0	h7
	DHSKE25- DSK10- 060	60										
HSKE32	DHSKE32- DSK10- 060	60	20	34	30- 40	SK10	DSK10B	50000RPM	2.0- 10.0	h7	1.0- 10.0	h7
	DHSKE32- DSK10- 070	70										
	DHSKE32- DSK10- 075	75										
HSKE40	DHSKE40- DSK10- 070	70	20	34	30- 40	SK10	DSK10B	40000RPM	2.0- 10.0	h7	1.0- 10.0	h7
	DHSKE40- DSK10- 080	80										
	DHSKE40- DSK10- 100	100										
	DHSKE40- DSK16- 070	70		40	40- 48	SK16	DSK16B					
	DHSKE40- DSK16- 080	80										
	DHSKE40- DSK16- 100	100										
HSKE50	DHSKE50- DSK10- 080	80	20	34	30- 40	SK10	DSK10B	25000RPM	2.0- 10.0	h7	1.0- 10.0	h7
	DHSKE50- DSK10- 100	100										
	DHSKE50- DSK16- 080	80										
	DHSKE50- DSK16- 100	100		40	40- 48	SK16	DSK16B					
	DHSKE50- DSK25- 080	80										
	DHSKE50- DSK25- 100	100										
DHSKE50- DSK25- 100	100											