

HSKA-SK CHUCK

TECHNICAL PARAMETERS

Dynamic balancing grade: ≤G1.

High precision: Shank run-out accuracy: ≤2μm. Combined run-out accuracy: ≤5μm.

High axial and radial repeatability positioning precision.

Repeatability positioning precision is ≤2μm.

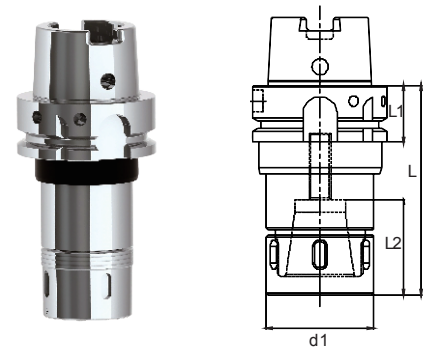
Featuring high dynamic and static rigidity and stability, and high axial and radial accuracy, it ensures the accuracy of a product machined at high speed.

HSK shank is designed with a structure of hollow short taper shank. Compared with BT shank, HSK shank has a short length and light weight. With the power to change the cutter more quickly, it is especially suitable for high-speed machining.

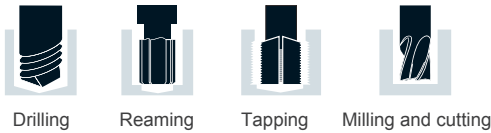
The taper angle of SK chuck for HSKA shank is 4°.

Advantages of HSKA shank with SK chuck: High precision, long service life, 1.5times greater than the torque value of any other type of chuck, clamping range of Φ1.0-25.0mm, H7-precision cutter. It is widely used for milling, drilling, engraving and other machining areas.

Perfect internal cooling function can be realized with the assistance of air duct part.



APPLICATION TYPE



Shank type	Order type	Dimensions				Chuck	Screw cap	Applicable speed	Grade A/ordinary grade, Grade AA/precision grade		Grade P/ultra precision grade, Grade PP/instrument grade															
		L	L1	D1	Depth of tool clamping (L2)				Range of cutter diameter	Requirements for precision of cutter shank diameter	Range of cutter diameter	Requirement for precision of cutter diameter														
HSKA40	DHSKA40- DSK10- 070	70	20	19.5	30- 40	SK10	DSK10B	40000RPM	2.0- 10.0	h7	1.0- 10.0	h7														
	DHSKA40- DSK10- 090	90																								
	DHSKA40- DSK16- 070	70		27.5	40- 48								SK16	DSK16B	25000RPM	3.0- 16.0	h7	3.0- 16.0	h7							
	DHSKA40- DSK16- 090	90																								
	DHSKA40- DSK25- 070	70		40	50- 61															SK25	DSK25B	20000RPM	6.0- 25.0	h7	6.0- 25.0	h7
	DHSKA40- DSK25- 090	90																								
DHSKA50	DHSKA50- DSK10- 080	80	26	19.5	30- 40	SK10	DSK10B	25000RPM	2.0- 10.0	h7	1.0- 10.0	h7														
	DHSKA50- DSK10- 100	100																								
	DHSKA50- DSK16- 080	80		27.5	40- 48								SK16	DSK16B	20000RPM	3.0- 16.0	h7	3.0- 16.0	h7							
	DHSKA50- DSK16- 100	100																								
	DHSKA50- DSK25- 100	100		40	50- 61															SK25	DSK25B	20000RPM	6.0- 25.0	h7	6.0- 25.0	h7
	DHSKA50- DSK25- 120	120																								
HSKA63	DHSKA63- DSK16- 100	100	26	27.5	40- 48	SK16	DSK16B	20000RPM	3.0- 16.0	h7	3.0- 16.0	h7														
	DHSKA63- DSK16- 120	120																								
	DHSKA63- DSK25- 100	100		40	50- 61								SK25	DSK25B	20000RPM	6.0- 25.0	h7	6.0- 25.0	h7							
	DHSKA63- DSK25- 120	120																								